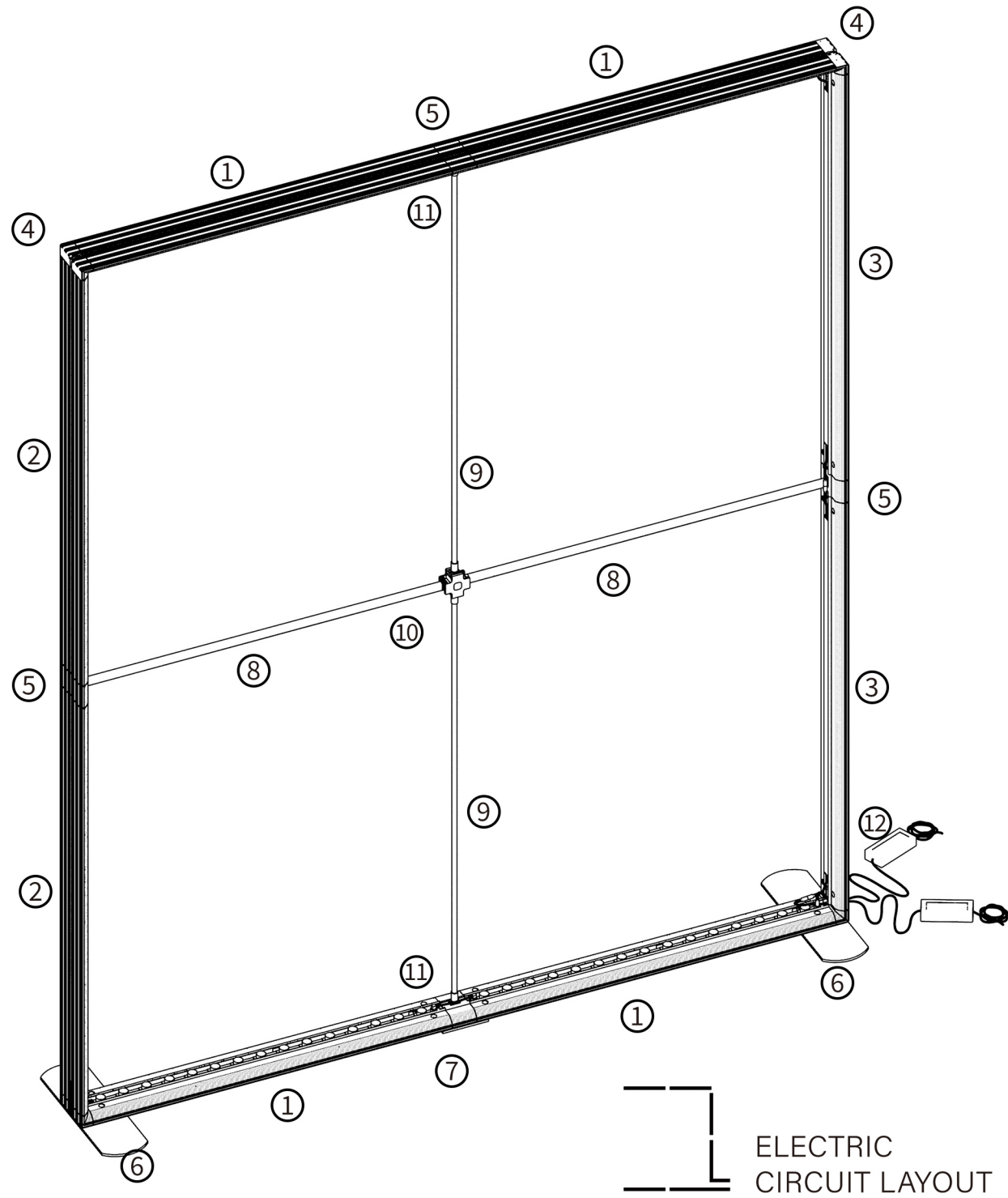
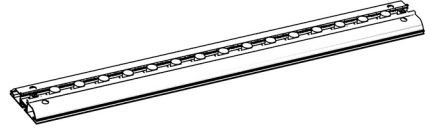

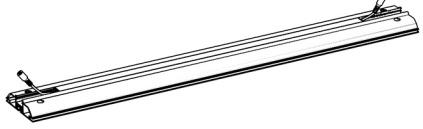
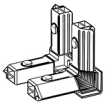
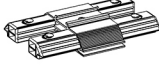
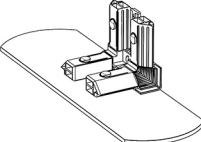
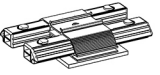
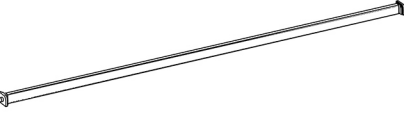
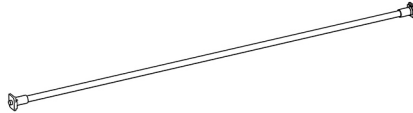


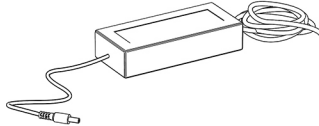
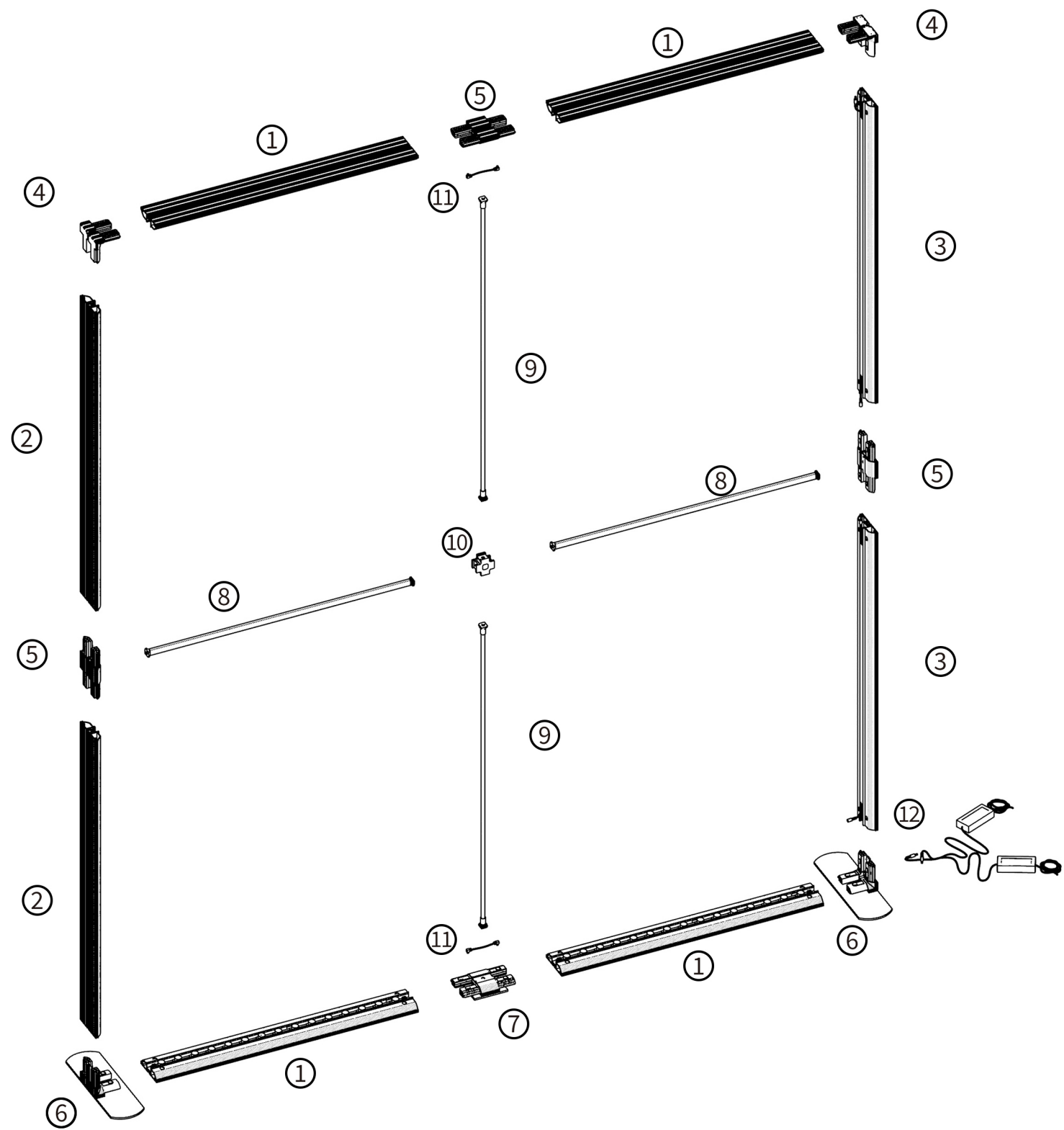


Caution : One power supply
can only drive 3pcs LED light strip most

1500/1850/2000X1500(1000+500)
 1500/1850/2000X2000(1000+1000)
 1500/1850/2000X2250(1250+1000)
 1500/1850/2000X2500(1250+1250)

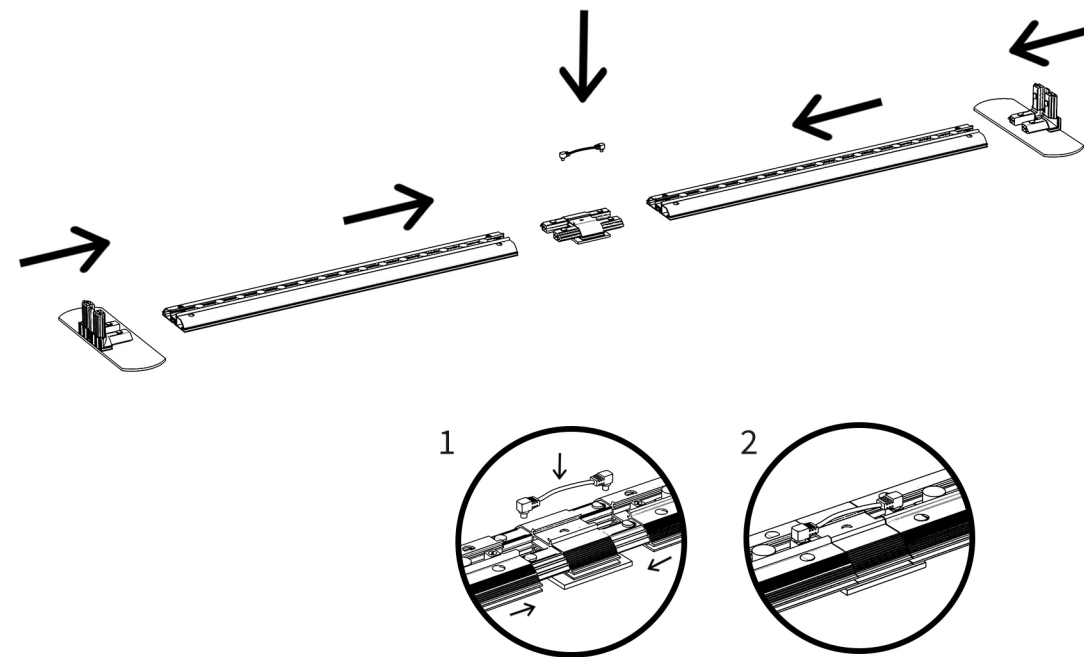


- ①  Horizontal Profile x 4
- ②  Vertical Profile x 2
- ③  Extrusion for female & male connecting wire x 2
- ④  Corner Part x 2
- ⑤  Connector Part x 3
- ⑥  Base Foot x 2
- ⑦  Base Foot x 1
Using For Big Size
- ⑧  Support Pole x 2
- ⑨  Round Shape Support Pole x 2
- ⑩  Cross Part x 1
- ⑪  Double Male Connecting Wire x 2
- ⑫  Power Supply x 2

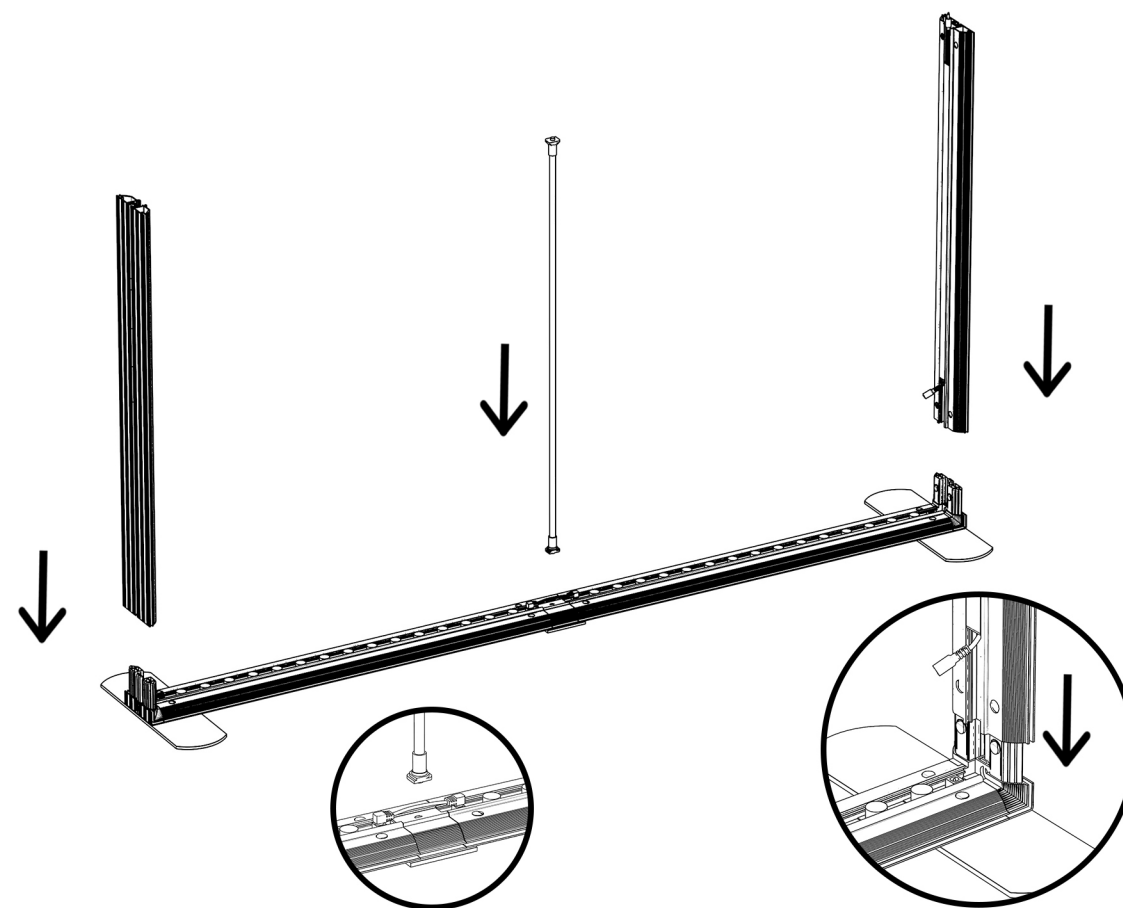


13

1

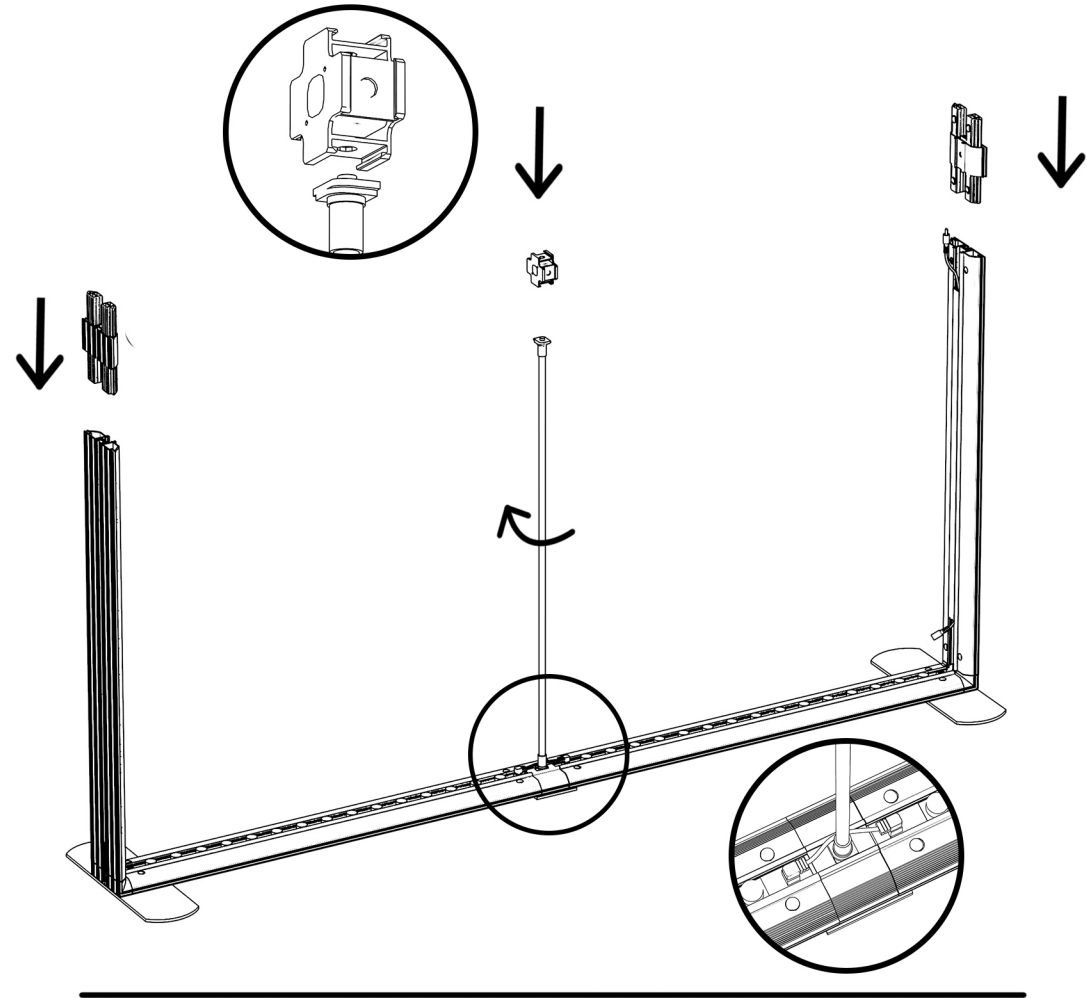


2

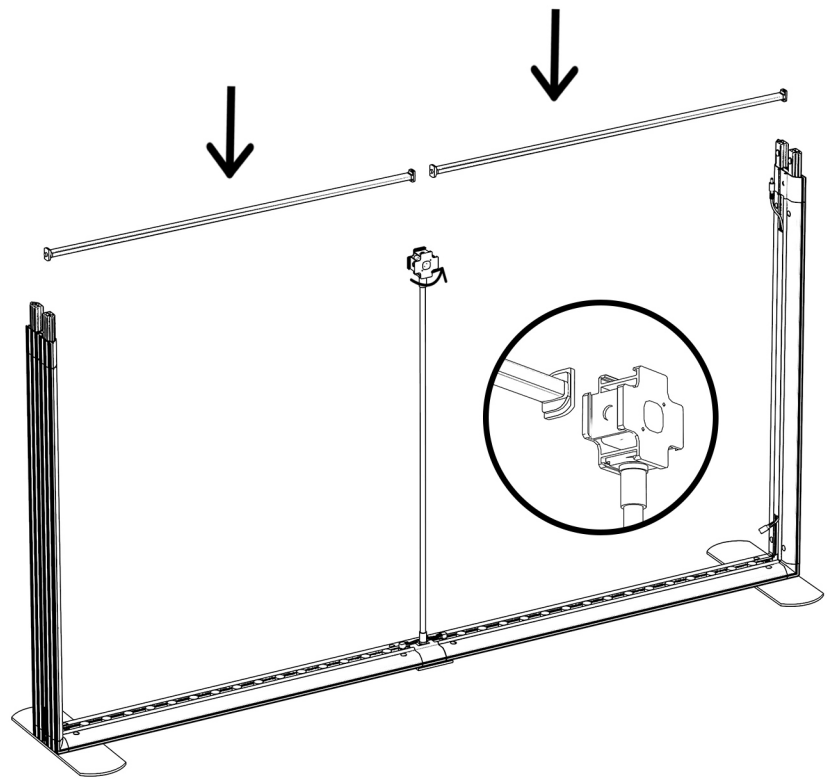


14

3

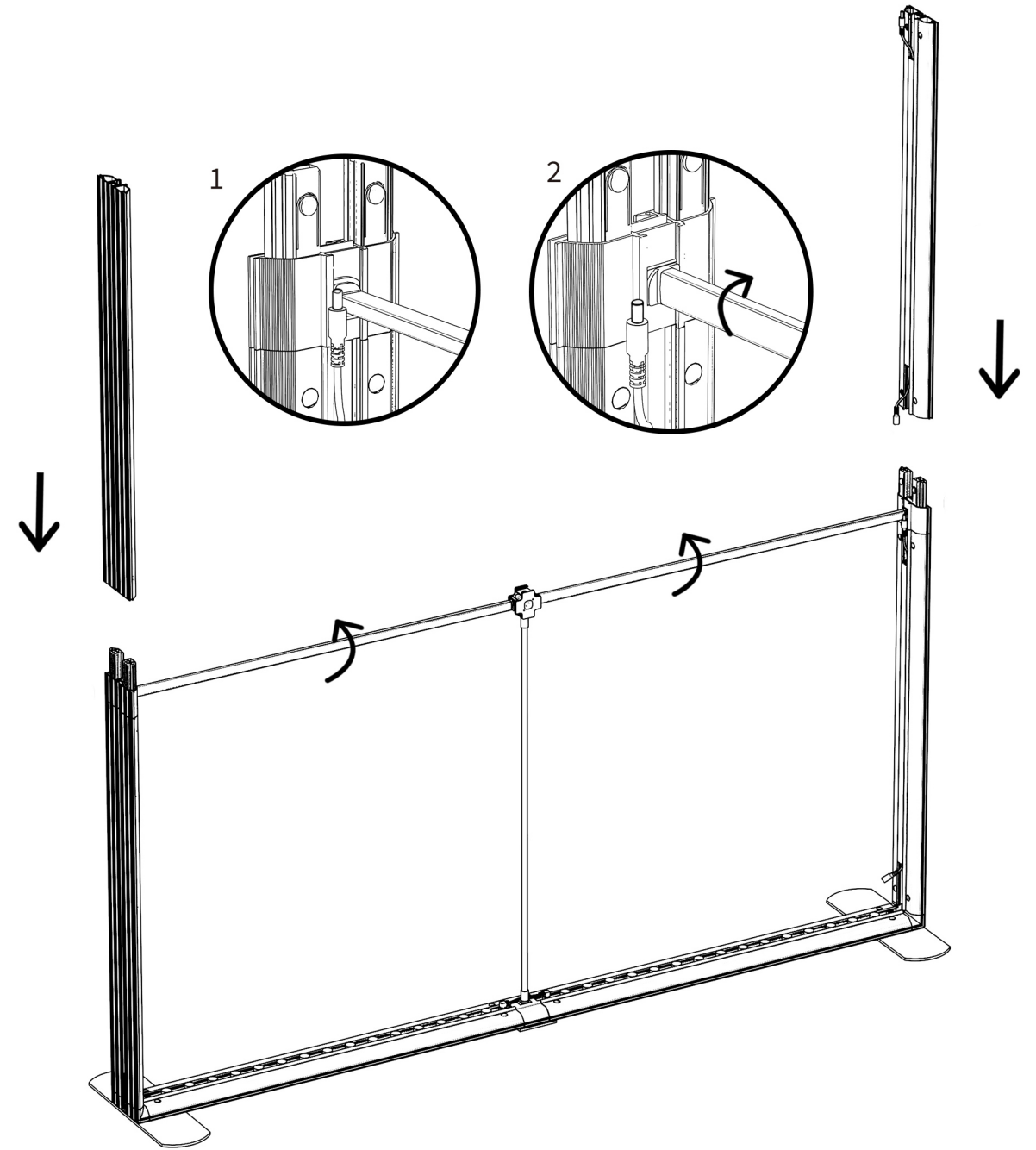


4



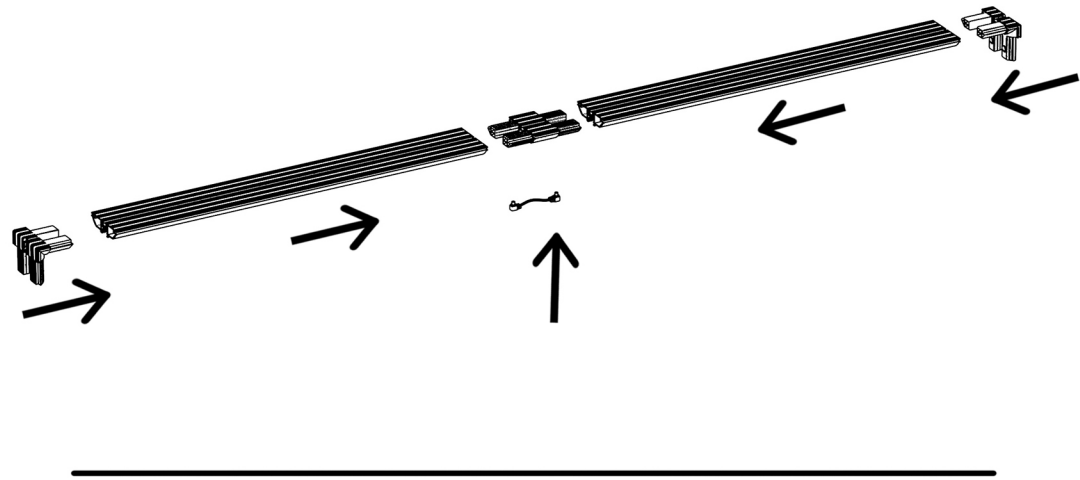
15

5



16

6

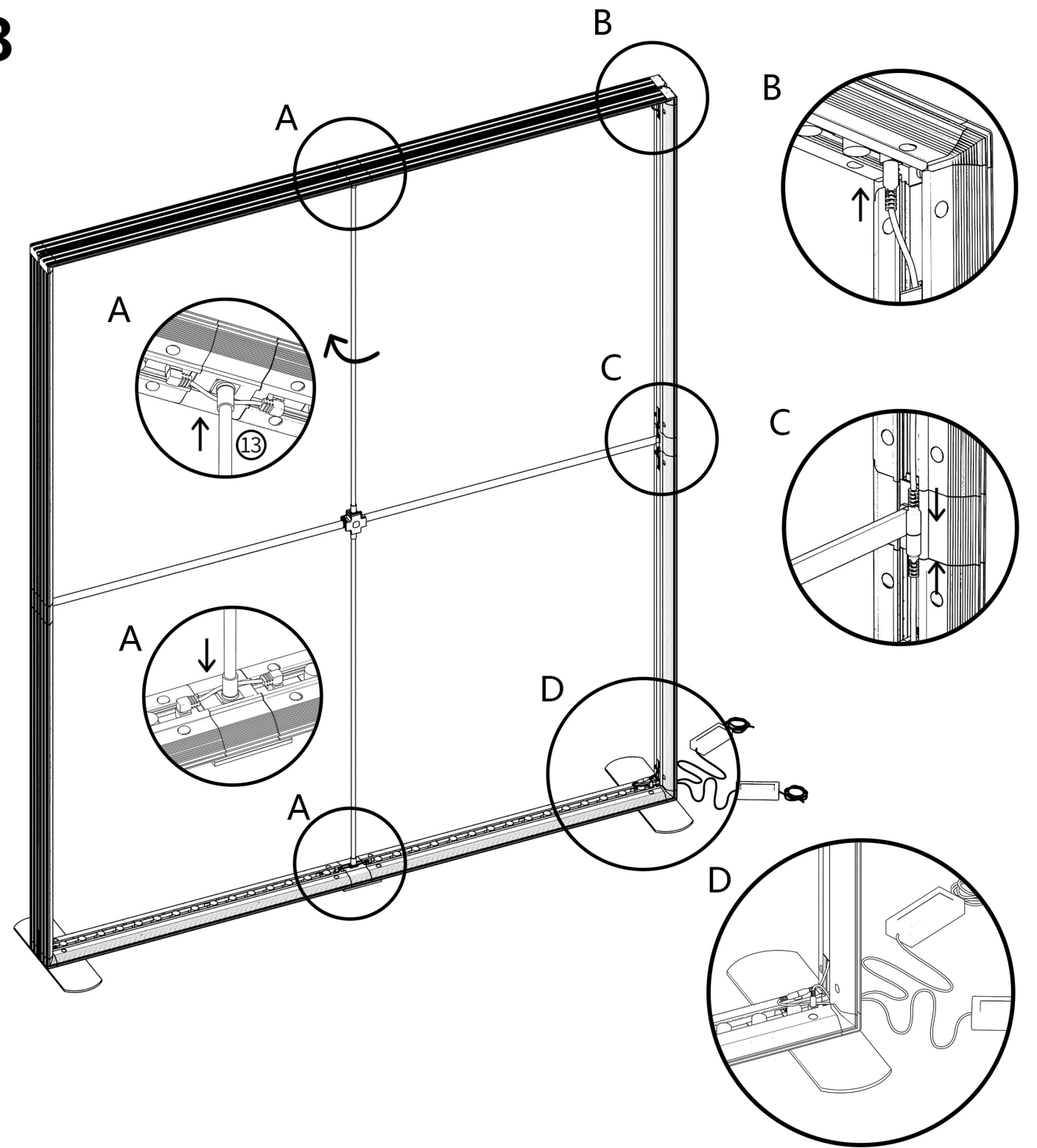


7



17

8



18

1500/1850/2000X2500(1000+1000+500)
1500/1850/2000X3000(1000+1000+1000)

